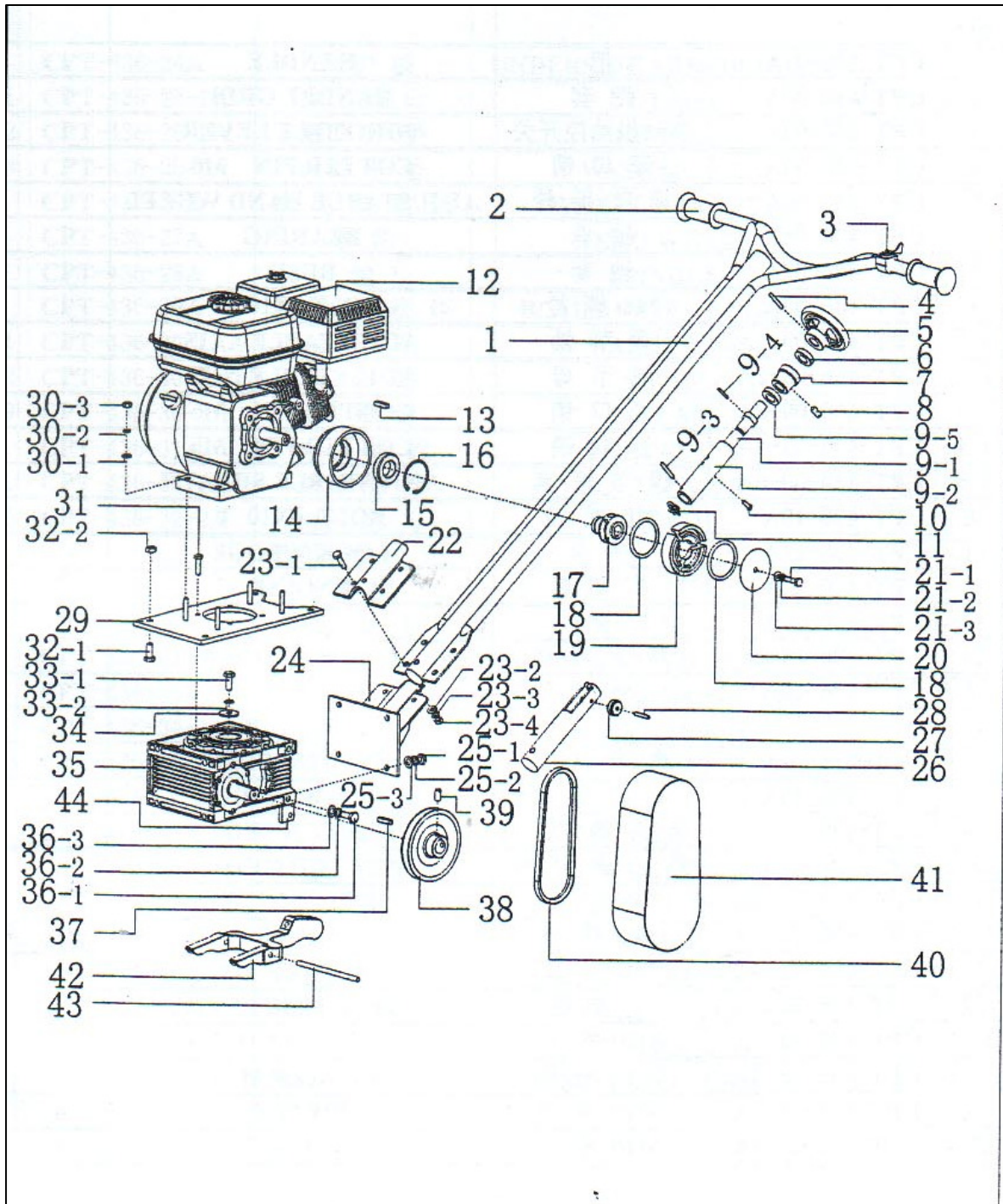




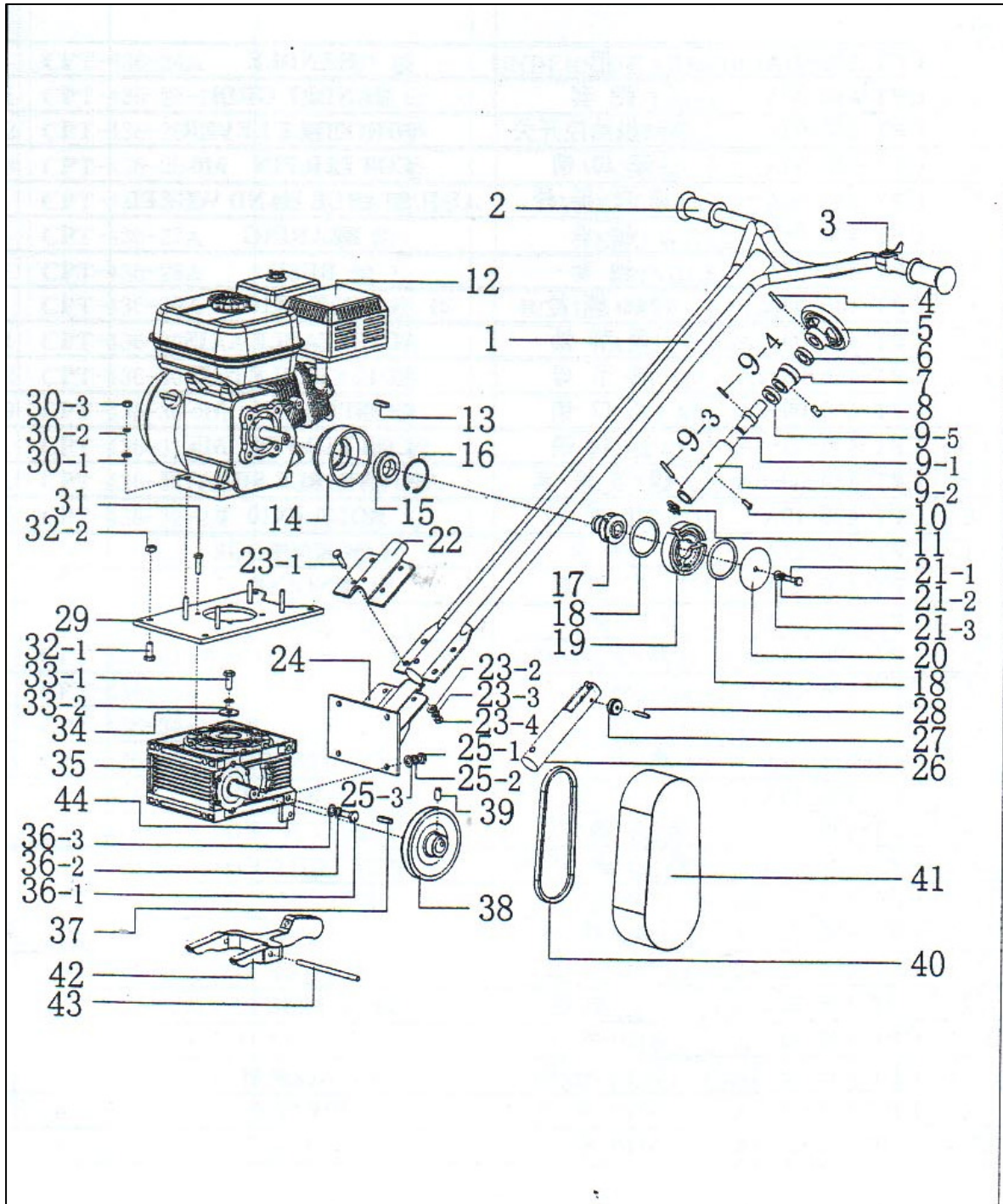
PART LIST (A) – ENGINE KIT AND HANDLE KIT



PART LIST (A) – ENGINE KIT AND HANDLE KIT

S/NO	PART NO	DESCRIPTION	QTY	REMARK
1	CPT-436-01A	HANDLE	1	
2	CPT-436-02A	HANDLE GRIB	2	
3	CPT-436-03A	THROTTLE LEVER	1	
4	CPT-436-04A	COTTER PIN M6	1	
5	CPT-436-05A	ADJUSTABLE HAND WHEEL	1	
6	CPT-436-06A	BEARING	1	
7	CPT-436-07A	BUSH	1	
8	CPT-436-08A	BOLE 6X10T	1	
9-1	CPT-436-09-1A	ADJUSTABLE AXIS	1	
9-2	CPT-436-09-2A	ADJUSTABLE NUT	1	
9-3	CPT-436-09-3A	COTTER PIN M5	1	
9-4	CPT-436-09-4A	COTTER PIN M5	1	
9-5	CPT-436-09-5A	ADJUSTABLE SHEATH	1	
10	CPT-436-10A	BOLT M6X10T	1	
11	CPT-436-11A	LOCK WEDGE	1	
12	CPT-436-12A	ENGINE	1	
13	CPT-436-13A	KEY	1	
14	CPT-436-14A	CLUTCH DRUM	1	
15	CPT-436-15A	BEARING	1	
16	CPT-436-16A	CIRCLIP	1	
17	CPT-436-17A	CLUTCH BOSS	1	
18	CPT-436-18A	CLUTCH SPRING	2	
19	CPT-436-19A	CLUTCH SHOE	1	
20	CPT-436-20A	CLUTCH GUIDE	1	
21-1	CPT-436-21-1A	BOLT M8X20T	1	
21-2	CPT-436-21-2A	SW M8	1	
21-3	CPT-436-21-3A	WASHER M8	1	
22	CPT-436-22A	TOP ARMOR PLATE	1	
23-1	CPT-436-23-1A	BOLT M10X25T	4	
23-2	CPT-436-23-2A	WASHER M10	4	
23-3	CPT-436-23-3A	SW M10	4	
23-4	CPT-436-23-4A	NUT M10	4	
24	CPT-436-24A	UNDERSIDE ARMOR PLATE	1	
25-1	CPT-436-25-1A	NUT M12	4	
25-2	CPT-436-25-2A	SW M12	4	
25-3	CPT-436-25-3A	WASHER M12	4	
26	CPT-436-26A	WHEEL BRACKET	1	
27	CPT-436-27A	AERO WHEEL	1	

PART LIST (A) – ENGINE KIT AND HANDLE KIT

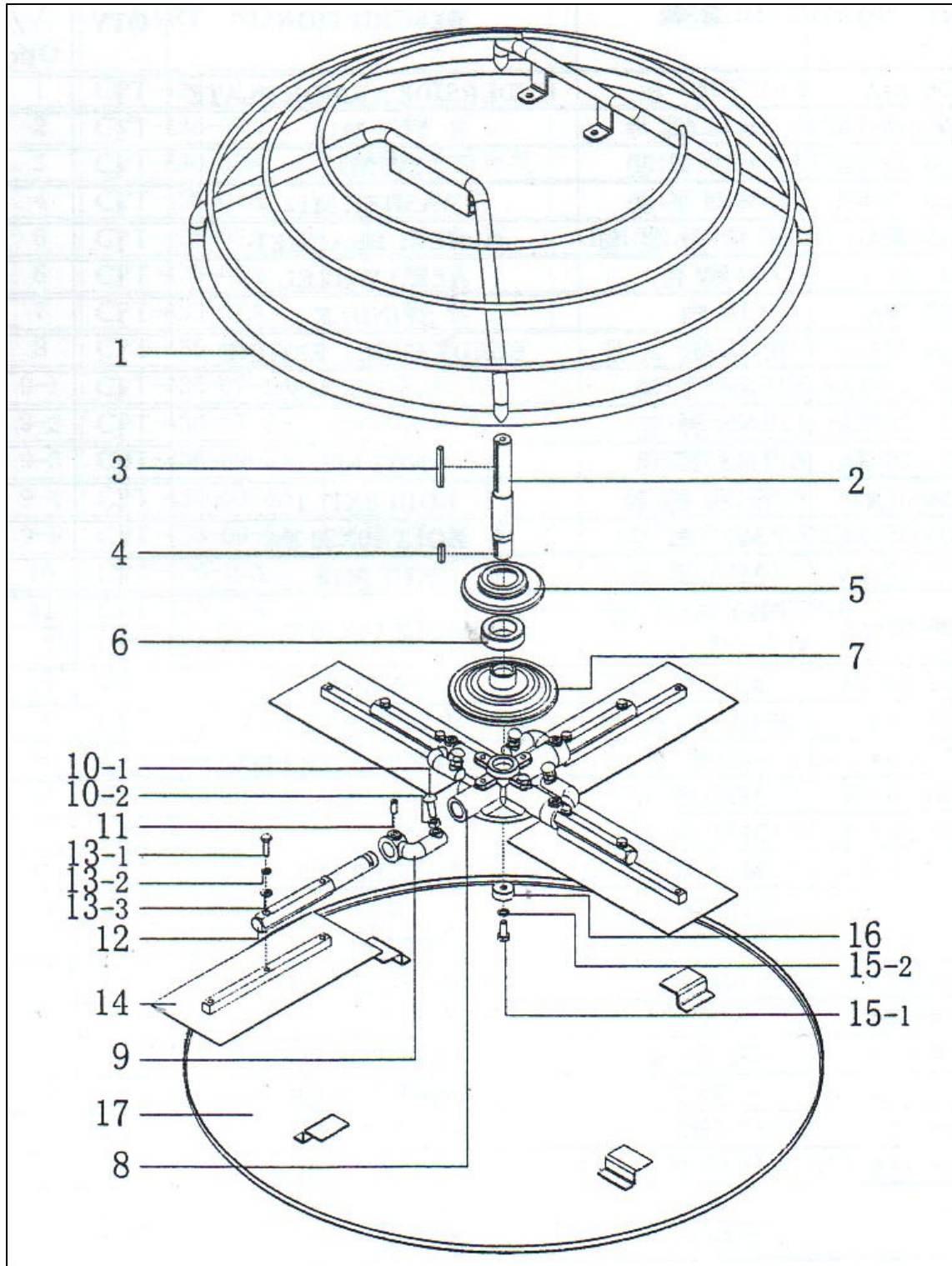


PART LIST (A) – ENGINE KIT AND HANDLE KIT

28	CPT-436-28A	SPINDLE	1	
29	CPT-436-29A	BLADE BASE, ENGINE	1	
30-1	CPT-436-30-1A	WASHER M8	4	
30-2	CPT-436-30-2A	SW M8	4	
30-3	CPT-436-30-3A	NUT M8	4	
31	CPT-436-31A	BOLT M8X17T	4	
32-1	CPT-436-32-1A	BOLT M10X20T	4	
32-2	CPT-436-32-2A	NUT M10	4	
33-1	CPT-436-33-1A	BOLT M10X35T	1	
33-1	CPT-436-33-2A	SW M10	1	
34	CPT-436-34A	CAP FOR SPEED REDUCER	1	
35	CPT-436-35A	REDUCER GEAR BOX	1	
36-1	CPT-436-36-1A	BOLT M10X25T	2	
36-2	CPT-436-36-2A	SW M10	2	
36-3	CPT-436-36-3A	WASHER M10	2	
37	CPT-436-37A	KEY	1	
38	CPT-436-38A	PULLEY	1	
39	CPT-436-39A	SLIDE BOLE M8X10T	1	
40	CPT-436-40A	V-BELT	1	
41	CPT-436-41A	BELT COVER	1	
42	CPT-436-42A	FORK LEVER	1	
43	CPT-436-43A	PFIXATION PIN	1	
44	CPT-436-44A	SUSPEND AURIS	2	



# PART LIST (B) – GUARD RING & ARM BLADE KIT



**PART LIST (B) – GUARD RING & ARM BLADE KIT**

S/NO	PART NO	DESCRIPTION	QTY	REMARK
1	CPT-436-01B	GUARD RING	1	
2	CPT-436-02B	SPEED REDUCER	1	
3	CPT-436-03B	KEY 7X8X90	1	
4	CPT-436-04B	KEY 7X8X90	1	
5	CPT-436-05B	PRESSURE CAP FOR THRUST BEARING	1	
6	CPT-436-06B	THRUST BEARING	1	
7	CPT-436-07B	PRESSURE CAP	1	
8	CPT-436-08B	BLADE BASE	1	
9	CPT-436-09B	ELBOW BLADE	4	
10-1	CPT-436-10-1B	BOLT M10X35T	4	
10-2	CPT-436-10-2B	NUT M10	4	
11	CPT-436-11B	SLIDE BOLT M10X25T	4	
12	CPT-436-12B	ARM BLADE	4	
13-1	CPT-436-13-1B	BOLT M8X45T	8	
13-2	CPT-436-13-2B	SW M8	8	
13-3	CPT-436-13-3B	WASHER M8	8	
14	CPT-436-14B	TROWEL BLADE	4	
15-1	CPT-436-15-1B	BOLT M10X40T	1	
15-2	CPT-436-15-2B	SW M10	1	
16	CPT-436-16B	BOTTOM BLADE BASE CAP	1	
17	CPT-436-17B	TURBO DISC	1	