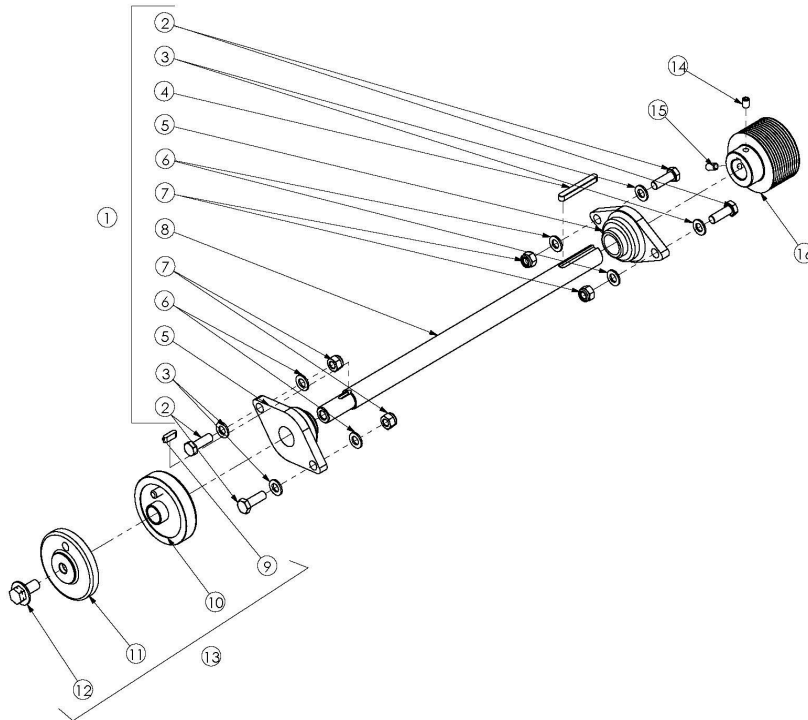




### BLADE ARM

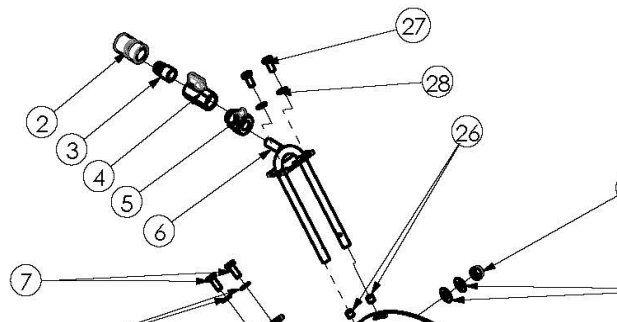
S/NO	PART NO	DESCRIPTION	QTY
1	CFC-18-01A	BLADE SHAFT	1
2	CFC-18-02A	BOLT M10X35	4
3	CFC-18-03A	WASHER M10	4
4	CFC-18-04A	KEY 8X7X60	1
5	CFC-18-05A	BEARING UCFL205	2
6	CFC-18-06A	WASHER 10X25X3	4
7	CFC-18-07A	LOCKED NUT M10	4
8	CFC-18-08A	BLADE SHAFT	1
9	CFC-18-09A	KEY 5X5X20	1
10	CFC-18-10A	FLANGE	1
11	CFC-18-11A	PLAIN FLANGE	1
12	CFC-18-12A	SCREW	1
13	CFC-18-13A	FLANGE	1
14	CFC-18-14A	SCREW M8X10	1
15	CFC-18-15A	SCREW M8X12	1
16	CFC-18-16A	BLADESHAFT PULLEY	1

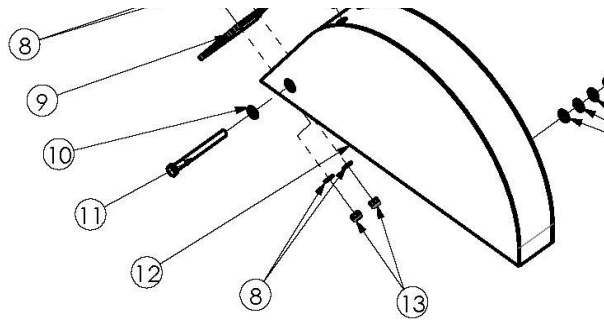


### BLADE GUARD GUIDE

S/NO	PART NO	DESCRIPTION	QTY
1	CFC-18-01B	BLADE GUIDE KIT	1
2	CFC-18-02B	RACCORD PARIDE LAITON	1
3	CFC-18-03B	ADAPT RAPIDE MALE	1
4	CFC-18-04B	ROBINET MINU-LUX	1
5	CFC-18-05B	COLLET BOMILE POUR TUBE	1
6	CFC-18-06B	WATER PIPE	1
7	CFC-18-07B	BOLT M8X20	2
8	CFC-18-08B	WASHER M8	4
9	CFC-18-09B	RUBBER DEFLECTOR	1
10	CFC-18-10B	WASHER M10	2
11	CFC-18-11B	BOLT M10X120	1
12	CFC-18-12B	BLADE GUARD	1
13	CFC-18-13B	LOCKED NUT M8	2
14	CFC-18-14B	KIT	1
15	CFC-18-15B	LOCKED NUT M10	4
16	CFC-18-16B	RONDEL RESSOR	4
17	CFC-18-17B	WASHER 10X25X3	4
18	CFC-18-18B	BOLT M10X30	1
19	CFC-18-19B	POINTER	1
20	CFC-18-20B	WASHER M8	5
21	CFC-18-21B	WASHER	1
22	CFC-18-22B	NUT M8	2
23	CFC-18-23B	BUSHING	1
24	CFC-18-24B	WHEEL	1
25	CFC-18-25B	BOLT M8X70	1
26	CFC-18-26B	SCREW M10X10	2
27	CFC-18-27B	BOLT M6X20	2
28	CFC-18-28B	WASHER M6	2
29	CFC-18-29B	LOCKED NUT M8	1

①





14

