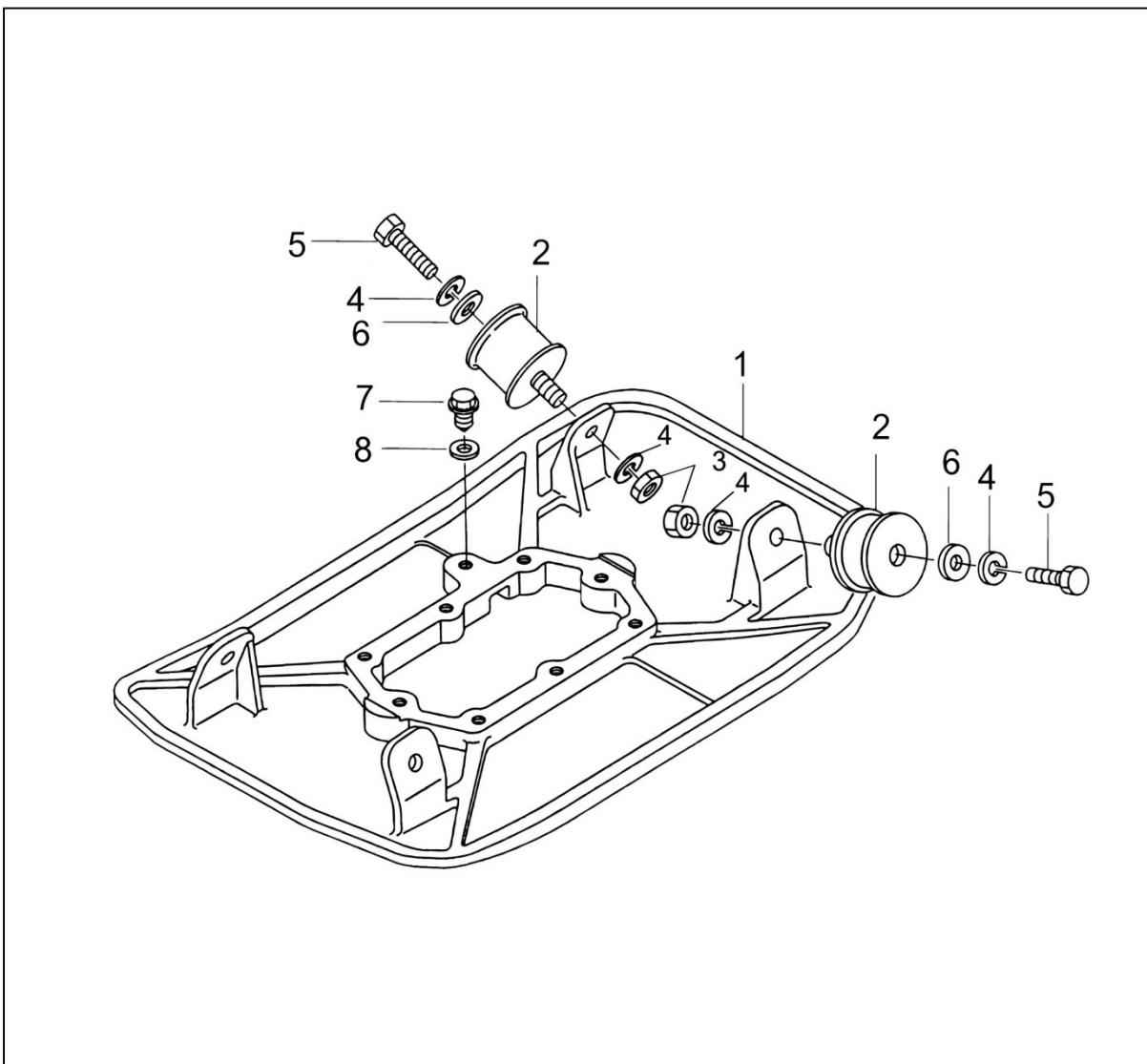




VIBRATING PLATE

S/NO	PART NO	DESCRIPTION	QTY	REMARK
1	CPC-160-1A	VIBRATING PLATE	1	
2	CPC-160-2A	SHOCK ABSORBER	4	
3	CPC-160-3A	NUT M12	4	
4	CPC-160-4A	SW M12	8	
5	CPC-160-5A	BOLT M12X35T	4	
6	CPC-160-6A	WASHER 12X40X4.5	4	
7	CPC-160-7A	OIL GAUGE M16X1.5	1	
8	CPC-160-8A	PACKING M16	1	





BODY

S/NO	PART NO	DESCRIPTION	QTY	REMARK
1	CPC-160-1B	BASE	1	
2	CPC-160-2B	ENGINE	1	
3	CPC-160-3B	BOLT M8X40T	4	
4	CPC-160-4B	SW M8	4	
5	CPC-160-5B	PW M8	4	
6	CPC-160-6B	BELT COVER PLATE	1	
7	CPC-160-7B	BOLT M8X20T	4	
8	CPC-160-8B	SPACER	1	
9	CPC-160-9B	CLUTCH ASSEMBLY	1	
10	CPC-160-10B	KEY 5X5X30	1	
11	CPC-160-11B	CLUTCH WASHER	1	
12	CPC-160-12B	SOCKET HEAD BOLT M8X30T	1	
13	CPC-160-13B	V-BELT A890	1	
14	CPC-160-14B	DUST COVER	1	
15	CPC-160-15B	FLAT HEAD SCREW M6X16T	2	
16	CPC-160-16B	SPONGE, DUST COVER	1	
17	CPC-160-17B	BELT COVER OUT	1	
18	CPC-160-18B	SOCKET HEAD BOLT M8X60T	3	
19	CPC-160-19B	SOCKET HEAD BOLT M8X30T	1	
20	CPC-160-20B	RUBBER COVER	1	
21	CPC-160-21B	PLATE, RUBBER COVER	1	
22	CPC-160-22B	BOLT M6X25T	2	
23	CPC-160-23B	SW M6	2	
24	CPC-160-24B	PW M6	4	
25	CPC-160-25B	NYLON NUT M6	2	
27	CPC-160-27B	DRAIN HOSE	1	
28	CPC-160-28B	HOSE CLAMP	2	
29	CPC-160-29B	GASKET 10X18.1,5	1	
30	CPC-160-30B	PLUG	1	
31	CPC-160-31B	JOINT BLOCK M10X1.0	1	
32	CPC-160-32B	BOLT M8X20T	1	
33	CPC-160-33B	SW M8	1	
34	CPC-160-34B	SEAL WASHER	1	
35	CPC-160-35B	GUARD FRAME	1	
36	CPC-160-36B	BOLT M10X25T	4	
37	CPC-160-37B	SW M10	4	

38	CPC-160-38B	UNION	1	
39-1	CPC-160-39-1B	SUNK HEAD BOLT	1	
39-2	CPC-160-39-2B	ROLLER SHAFT	1	
39-3	CPC-160-39-3B	BEARING	2	
39-4	CPC-160-39-4B	ROLLER	1	
39-5	CPC-160-39-5B	SW	1	
39-6	CPC-160-39-6B	NUT	1	

BODY

