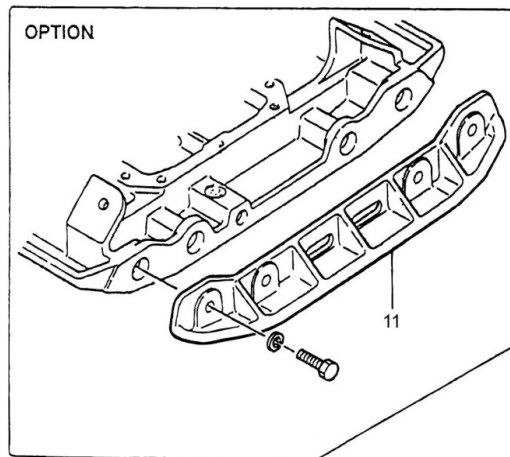
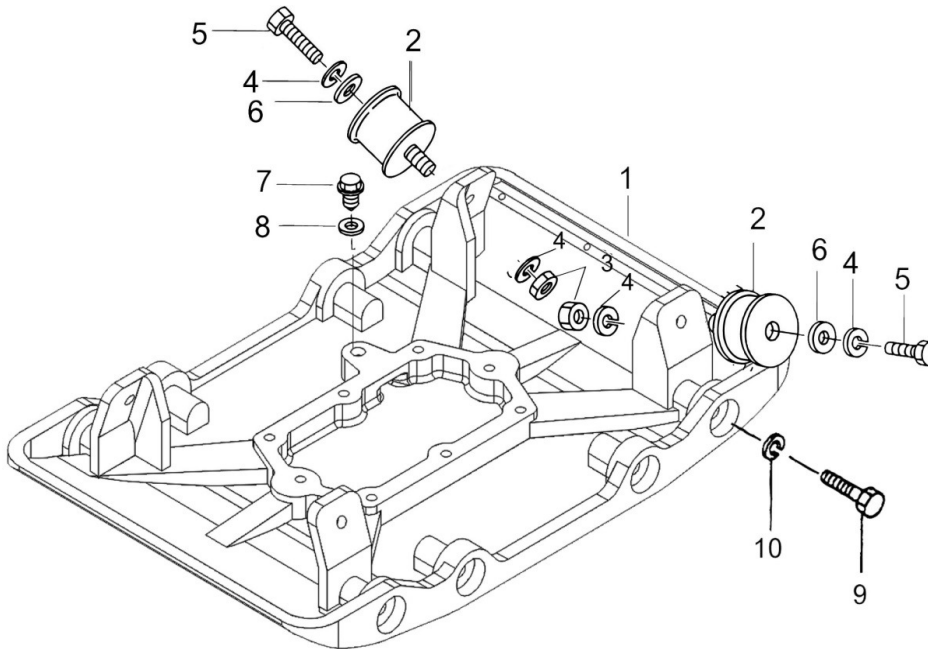




VIBRATING PLATE

S/NO	PART NO	DESCRIPTION	QTY	REMARK
1	CPC-240-01A	VIBRATING PLATE	1	
2	CPC-240-02A	SHOCK ABSORBER	4	
3	CPC-240-03A	LOCK NUT M12	4	
4	CPC-240-04A	SW M12	8	
5	CPC-240-05A	BOLT M12X35T	4	
6	CPC-240-06A	WASHER 12X40X4.5	4	
7	CPC-240-07A	OIL GAUGE M16X1.5	1	
8	CPC-240-08A	PACKING M16	1	
9	CPC-240-09A	BOLT	8	
10	CPC-240-10A	SW & PACKING M12	8	
11	CPC-240-11A	EXTENTION PLATE	2	



BODY

S/NO	PART NO	DESCRIPTION	QTY	REMARK
1	CPC-240-01B	BASE	1	
2	CPC-240-02B	ENGINE HONDA GX270	1	
3	CPC-240-03B	BOLT M8X40T	4	
4	CPC-240-04B	SW M8	4	
5	CPC-240-05B	PW M8	4	
6	CPC-240-06B	BELT COVER PLATE	1	
7	CPC-240-07B	BOLT M8X20T	4	
9	CPC-240-09B	CLUTCH ASSEMBLY	1	
10	CPC-240-10B	KEY 5X5X30	1	
11	CPC-240-11B	CLUTCH WASHER	1	
12	CPC-240-12B	SOCKET HEAD BOLT M8X30T	1	
13	CPC-240-13B	V-BELT A890	1	
14	CPC-240-14B	DUST COVER	1	
15	CPC-240-15B	FLAT HEAD SCREW M6X16T	2	
16	CPC-240-16B	SPONGE, DUST COVER	1	
17	CPC-240-17B	BELT COVER OUT	1	
18	CPC-240-18B	SOCKET HEAD BOLT M8X60T	3	
19	CPC-240-19B	SOCKET HEAD BOLT M8X30T	1	
20	CPC-240-20B	RUBBER COVER	1	
21	CPC-240-21B	PLATE, RUBBER COVER	1	
22	CPC-240-22B	BOLT M6X25T	2	
23	CPC-240-23B	SW M6	2	
24	CPC-240-24B	PW M6	4	
25	CPC-240-25B	NYLON NUT M6	2	
27	CPC-240-27B	DRAIN HOSE	1	
28	CPC-240-28B	HOSE CLAMP	2	
29	CPC-240-29B	GASKET 10X18.1,5	1	
30	CPC-240-30B	PLUG	1	
31	CPC-240-31B	JOINT BLOCK M10X1.0	1	
32	CPC-240-32B	BOLT M8X20T	1	
33	CPC-240-33B	SW M8	1	
34	CPC-240-34B	SEAL WASHER	1	
35	CPC-240-35B	GUARD FRAME	1	
36	CPC-240-36B	BOLT M10X25T	4	
37	CPC-240-37B	SW & PACKING M10	4	
38	CPC-240-38B	UNION	1	

39-1	CPC-240-39-1B	SUNK HEAD BOLT	1	
39-2	CPC-240-39-2B	ROLLER SHAFT	1	
39-3	CPC-240-39-3B	BEARING	2	
39-4	CPC-240-39-4B	ROLLER	1	
39-5	CPC-240-39-5B	SW	1	
39-6	CPC-240-39-6B	NUT	1	

BODY

